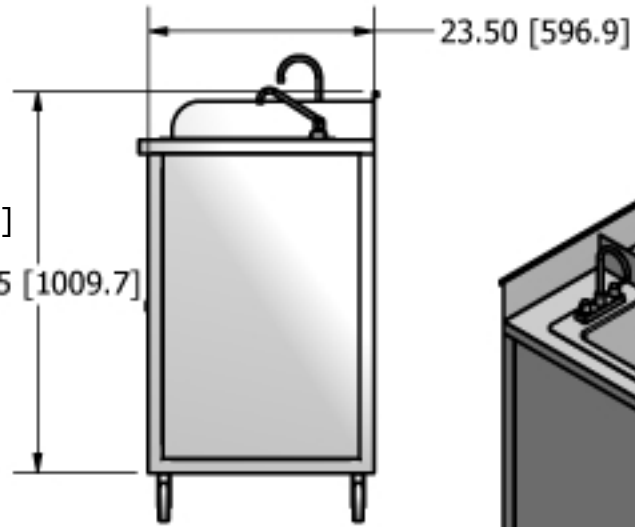
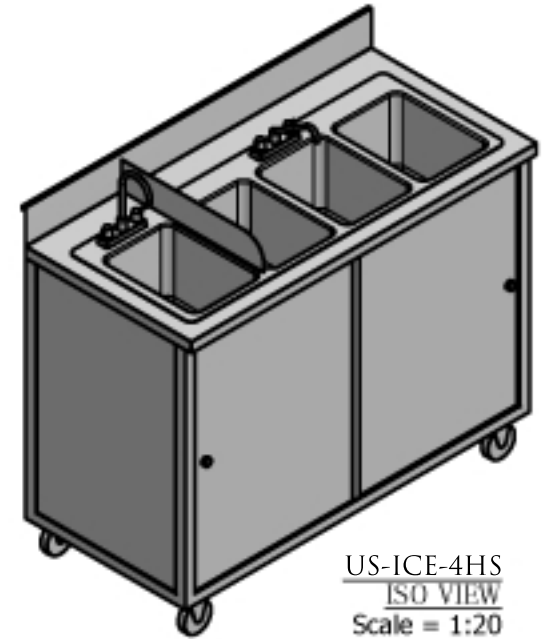


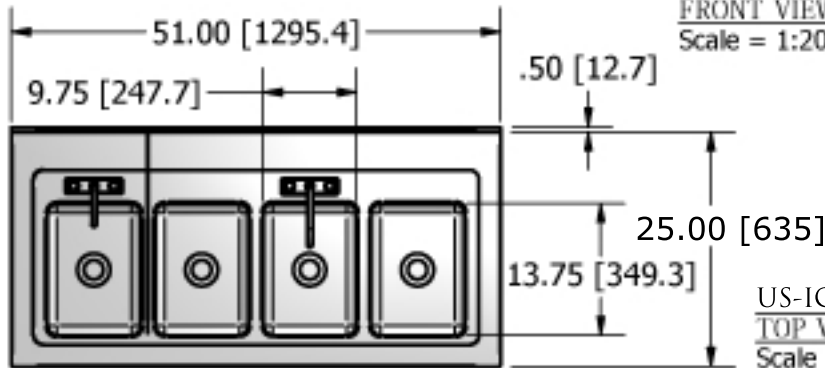
US-ICE-4HS
FRONT VIEW
Scale = 1:20



US-ICE-4HS SIDE VIEW
Scale = 1:20



US-ICE-4HS
ISO VIEW
Scale = 1:20



US-ICE-4HS
TOP VIEW
Scale = 1:20

- *Constructed of T304 Stainless Steel
- *Faucets and Sinks are NSF Approved
- *Basins are 9.75 x 13.75 x 10" Deep
- *Water Tank has 5 Gallon Capacity
- *Electrical Connection, Standard three prong 120 Volt
- *Water Heater and Pump are UL Recognized

GENERAL NOTES:
 1.) Units of Measure:
 Inches [Millimeters]
 2.) Content is exclusive
 property of US-ICE MACHINE
 This may not be replicated
 or distributed without the
 written consent of
 US-ICE MACHINE
 3.) Material: T-304 Stainless
 Steel (Thickness Varies).

DRAWN jacob.doedtman	4/2/2010	TITLE MODEL: <h1>US-ICE-4HS</h1> Mobile Sink Unit		
CHECKED				
QA				
MFG				
APPROVED		SIZE A	DWG NO US-ICE-4HS	REV
		SCALE As Noted	SHEET 1 OF 1	